

RATIONALE

AS4626D HAS BEEN REAFFIRMED TO COMPLY WITH THE SAE FIVE-YEAR REVIEW POLICY.

REV.
D

AS4626

SAE Technical Standards Board Rules provide that: "This report is published by SAE to advance the state of technical and engineering sciences. The use of this report is entirely voluntary, and its applicability and suitability for any particular use, including any patent infringement arising therefrom, is the sole responsibility of the user." SAE reviews each technical report at least every five years at which time it may be revised, reaffirmed, stabilized, or cancelled. SAE invites your written comments and suggestions.

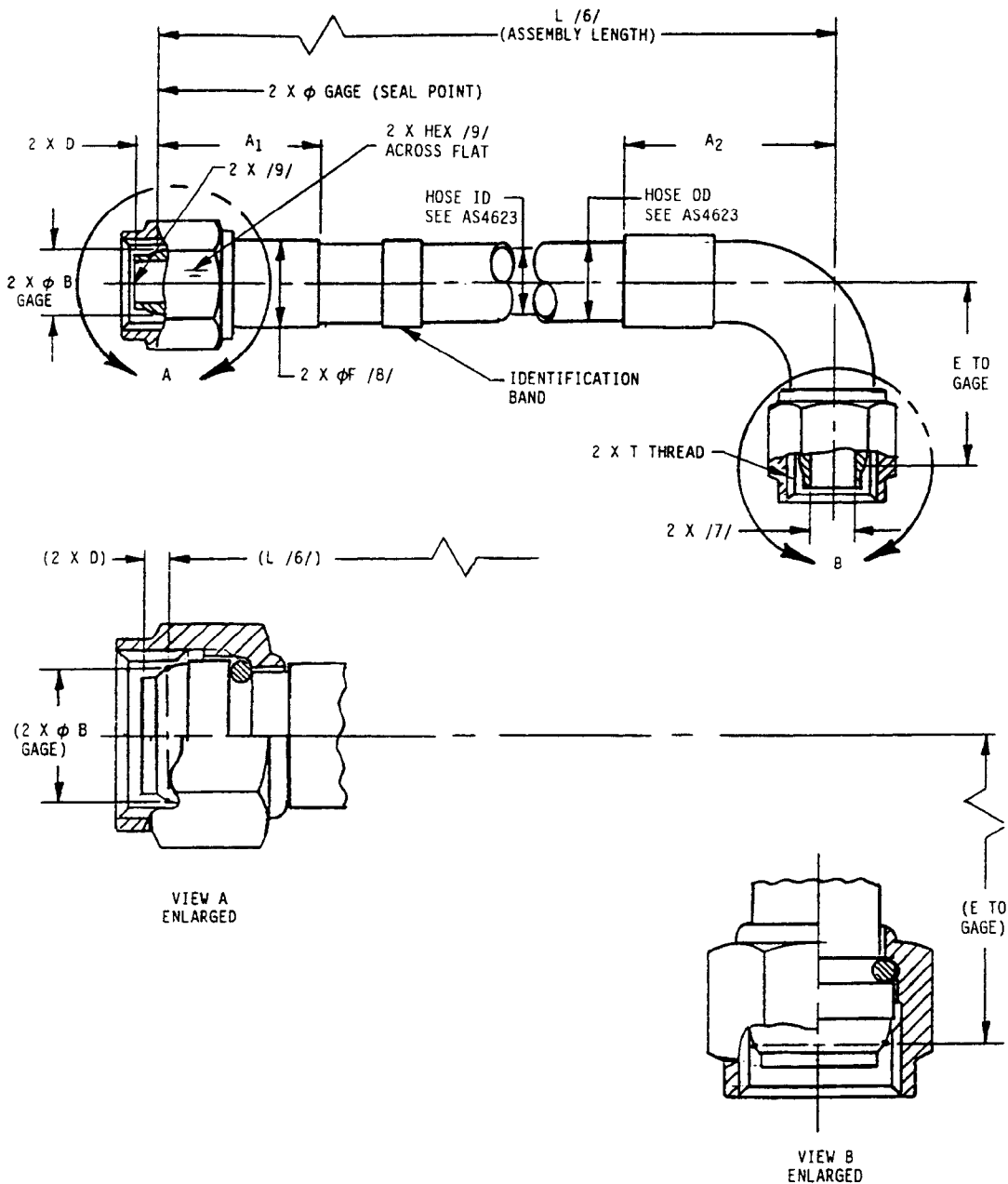
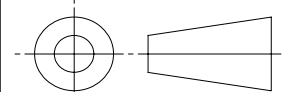


FIGURE 1 - FLARELESS HOSE ASSEMBLY
STRAIGHT TO 90° ELBOW

SAE values your input. To provide feedback on this Technical Report, please visit <http://www.sae.org/technical/standards/AS4626D>

THIRD ANGLE PROJECTION



CUSTODIAN: G-3/G-3D

PROCUREMENT SPECIFICATION: /2/ AS4623



AEROSPACE STANDARD

HOSE ASSEMBLY, POLYTETRAFLUOROETHYLENE, PARA ARAMID REINFORCED, HEAVY-DUTY, 275 °F, 3000 PSI FLARELESS TITANIUM FITTINGS, INCLUDING JUMP SIZE, STRAIGHT TO 90°

AS4626
SHEET 1 OF 6

REV. D



TABLE 1 – HOSE AND FITTING DIMENSIONS

BASIC HOSE ASSEMBLY NO. 4626 SIZE CODE	SIZE	/14/ FITTING TYPE	THREAD T PER AS8879	A ₁ MAX	A ₂ MAX	B GAGE BASIC	(C) HEX	D	E MAX	E MIN	F MAX	BALL SIZE MIN THRU /7/ IN
E	0.250	--	--	--	--	--	--	--	--	--	--	--
E	0.250	S	0.4375-20UNJF-3B	1.630	1.880	0.2930	0.56	0.16	0.770	0.645	0.69	0.102
E	0.250	E	0.5625-18UNJF-3B	1.695	1.960	0.4120	0.69	0.16	0.840	0.715	0.69	0.102
G	0.375	R	0.4375-20UNJF-3B	1.740	2.180	0.2930	0.56	0.16	0.770	0.645	0.80	0.102
G	0.375	S	0.5625-18UNJF-3B	1.835	2.180	0.4120	0.69	0.16	0.880	0.715	0.80	0.174
G	0.375	E	0.7500-16UNJF-3B	1.930	2.538	0.5600	0.88	0.19	0.970	0.845	0.80	0.174
H	0.500	R	0.5625-18UNJF-3B	2.145	2.538	0.4120	0.69	0.16	0.880	0.715	0.97	0.174
H	0.500	S	0.7500-16UNJF-3B	2.165	2.538	0.5600	0.88	0.19	0.970	0.845	0.97	0.267
H	0.500	E	0.8750-14UNJF-3B	2.675	2.780	0.6730	1.00	0.20	1.210	1.085	0.97	0.267
J	0.625	R	0.7500-16UNJF-3B	2.860	3.375	0.5600	0.88	0.19	0.970	0.845	1.15	0.267
J	0.625	S	0.8750-14UNJF-3B	2.905	3.375	0.6730	1.00	0.20	1.210	1.085	1.15	0.323
J	0.625	E	1.0625-14UNJ-3B	2.920	3.665	0.8100	1.25	0.23	1.400	1.275	1.15	0.323
K	0.750	R	0.8750-14UNJF-3B	2.240	3.940	0.6730	1.00	0.20	1.210	1.085	1.38	0.323
K	0.750	S	1.0625-12UNJ-3B	3.205	3.940	0.8100	1.25	0.23	1.400	1.275	1.38	0.433
K	0.750	E	1.3125-12UNJ-3B	3.320	4.110	1.0620	1.50	0.30	1.625	1.500	1.38	0.433
M	1.000	R	1.0625-12UNJ-3B	3.690	4.510	0.8100	1.25	0.23	1.400	1.275	1.66	0.433
M	1.000	S	1.3125-12UNJ-3B	3.740	4.510	1.0620	1.50	0.30	1.625	1.500	1.66	0.646
M	1.000	E	1.5625-12UNJ-3B	3.570	4.740	1.3160	1.81	0.04	1.825	1.700	1.66	0.646
N	1.250	--	--	--	--	--	--	--	--	--	--	--
N	1.250	S	1.5625-12UNJ-3B	4.330	5.310	1.3160	1.81	0.04	1.825	1.700	2.32	0.786
N	1.250	--	--	--	--	--	--	--	--	--	--	--

AEROSPACE STANDARD
 HOSE ASSEMBLY, POLYTRIFLUOROETHYLENE, PARA ARAMID REINFORCED, HEAVY-DUTY, 275 °F, 3000 PSI FLARELESS TITANIUM FITTINGS, INCLUDING JUMP SIZE, STRAIGHT TO 90°

AS4626
 SHEET 2 OF 6

REV.
D